

Sink S4001

Kitchen Sinks

Code: 3367 050



DETAILS

Edge/Installation Type Flush-mount | Top-mount

Material AISI 304 stainless steel

Texture Brushed in line

Finish Foster brushed

Base 90 cm

Dimensions 860 x 520 mm

Bowl dimension 800 x 400 mm

Width 86 cm

Built-in hole [View technical data sheet](#)

Number of bowls	1 bowl
Drainer	No
Standard fittings	Fixing hooks, gasket, drain, overflow and siphon, boxed packing
Mixer holes	2 standard holes - 3rd and 4th holes on request
Waste fitting	Drain with automatic control SPACE

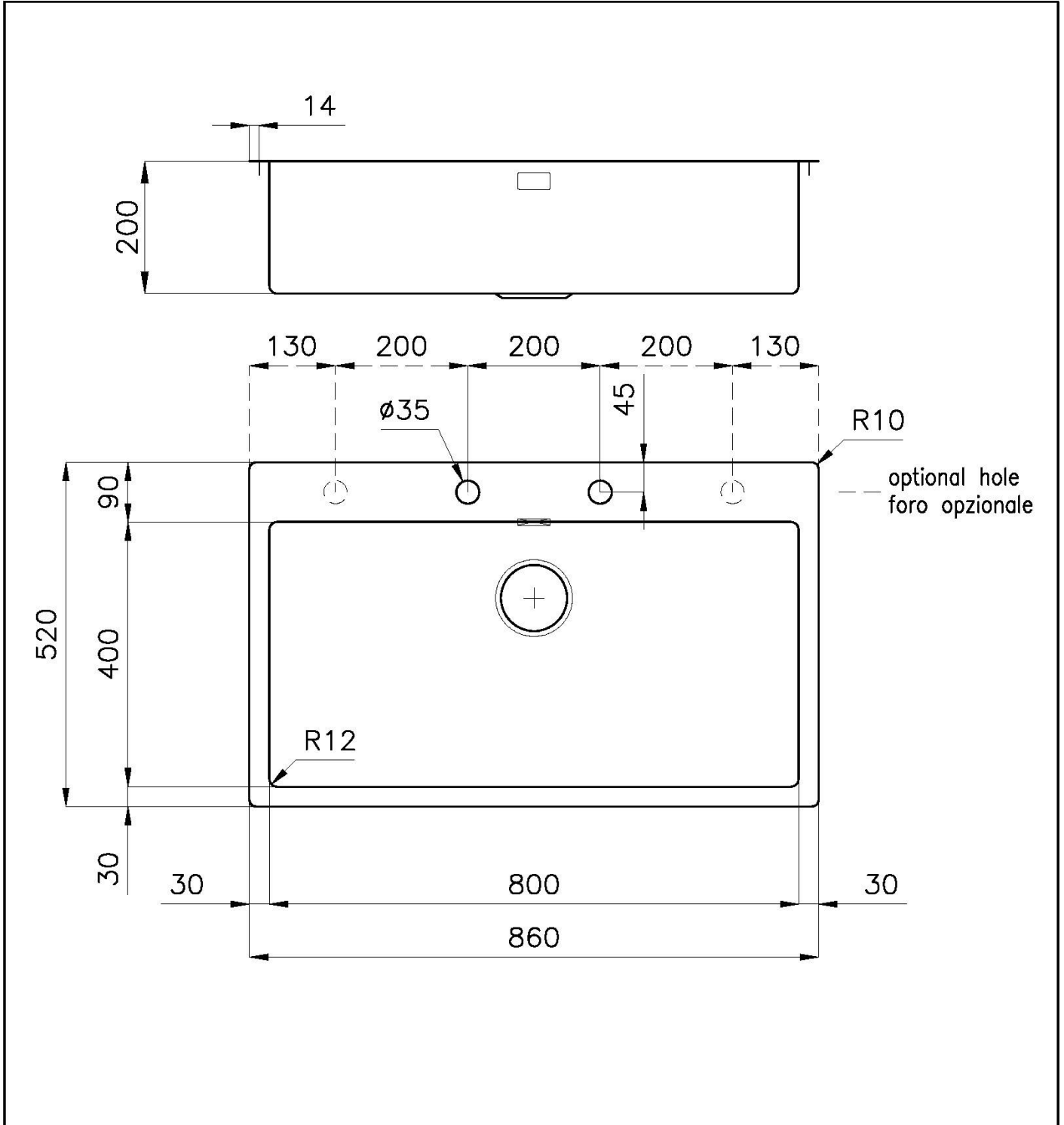
FEATURES

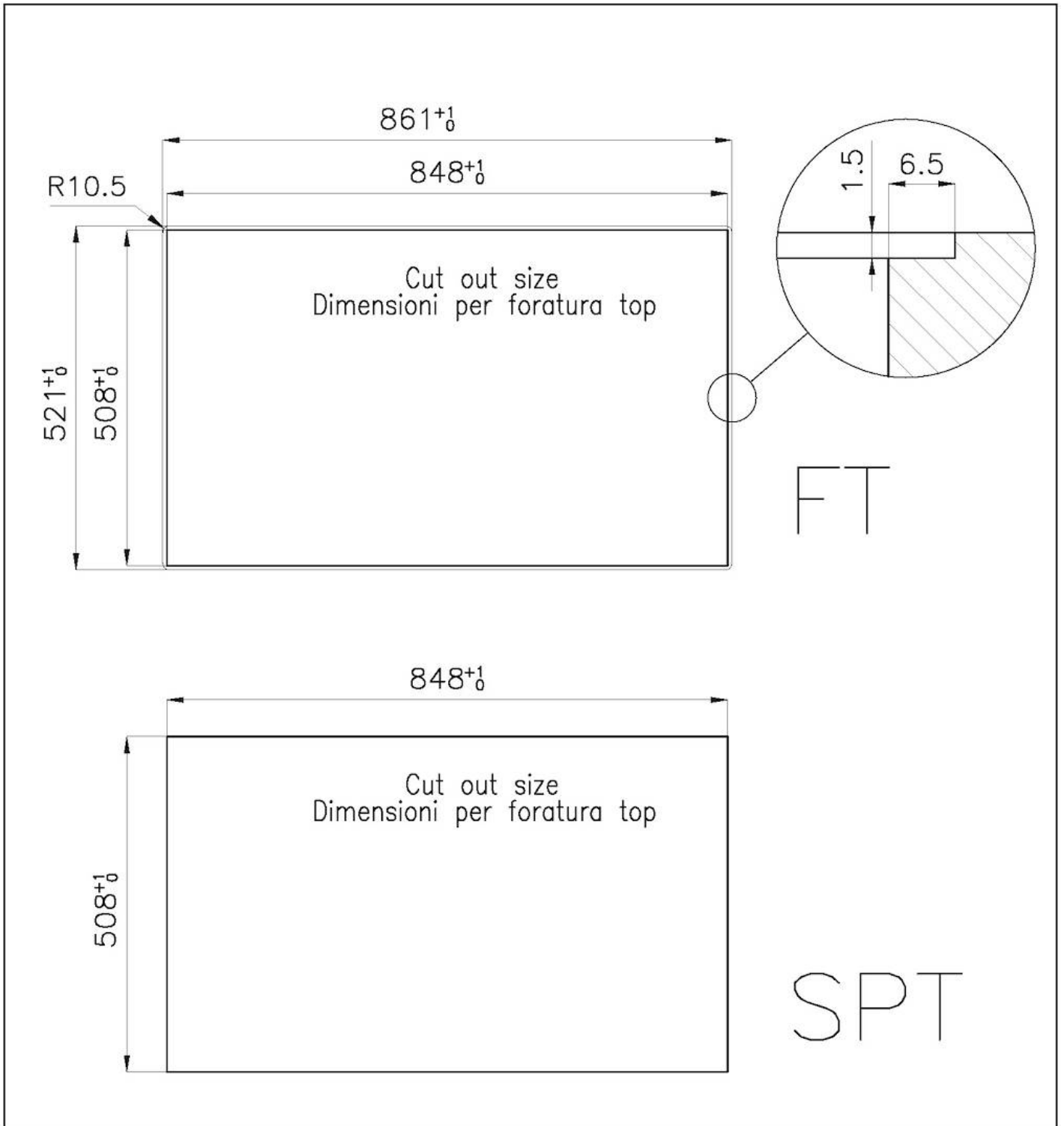
Automatic waste fitting	The waste-fitting with round remote knob is supplied; a practical accessory which makes it unnecessary to get wet in order to drain the water from the bowl.
Deep bowls	This bowls reach an important depth, over 20 cm, thanks to the advanced production technology, that can be offer great capieny and practicity in all the washing operations.
Double mixer hole	The large tap counter is already fitted with a series of 2 tap holes. In the second hole it is possible to install the remote control of the automatic drain or, alternatively, a practical soap dispenser.
High thickness	1mm thick steel. A significant thickness, which guarantees the maximum sturdiness and durability.
Perimetral overflow	The overflow is always a security on the Foster sinks that prevents the overflow of water in case of oversights. The perimeter drain solution improves aesthetics thanks to its square and essential shape.
Save space system	Drain and siphon are designed to leave as much space as possible in the under-sink area, more and more useful today for theseparate waste collection systems.
Small radius	Bowls with squared shapes with a modern design and an increased capacity, for a minimal aesthetics connected with an extreme practicity.

Space waste fitting

The elegant SPACE steel cap closes the drain and leaves no visible residues collected in the basket below. Space also has a small footprint and allows the optimal use of the under-sink compartment.

TECHNICAL DATA





GALLERY



EQUIPMENT

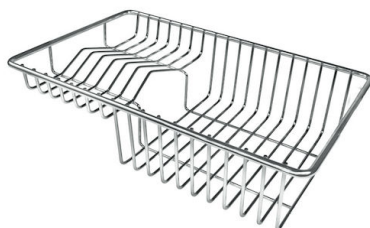


Space automatic waste fitting - PA
8407 108

OPTIONAL ACCESSORIES



HPDE Twin chopping board
8644 101



Stainless steel plate rack
8100 303
* only in combination with the accessory
8644 101



Black grid
8100 617



Black grid
8100 653



Glass chopping board
8631 300



**Graters kit with ring-holder and
food collection tray**
8159 101
* only in combination with the accessory
8644 101



HDPE Chopping board
8657 001



**Iroko-wood sliding chopping board
with stainless steel colander**
8644 044



Stainless steel perforated tray
8151 000
* only in combination with the accessory
8644 101



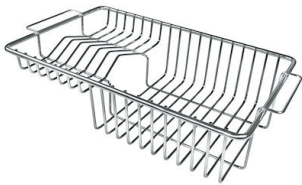
**Stainless steel perforated tray PVD
Copper**
8151 008
* only in combination with the accessory
8644 101



**Stainless steel perforated tray PVD
Gold**
8151 009
* only in combination with the accessory
8644 101



**Stainless steel perforated tray PVD
Gun Metal**
8151 006
* only in combination with the accessory
8644 101



Stainless steel plate rack
8100 201



White bowl
8153 100

RECOMMENDED PAIRINGS



Mixer Tap Play
8487 000